

Frameless Pedestal Exhibit Bases

For self-supporting sign panels

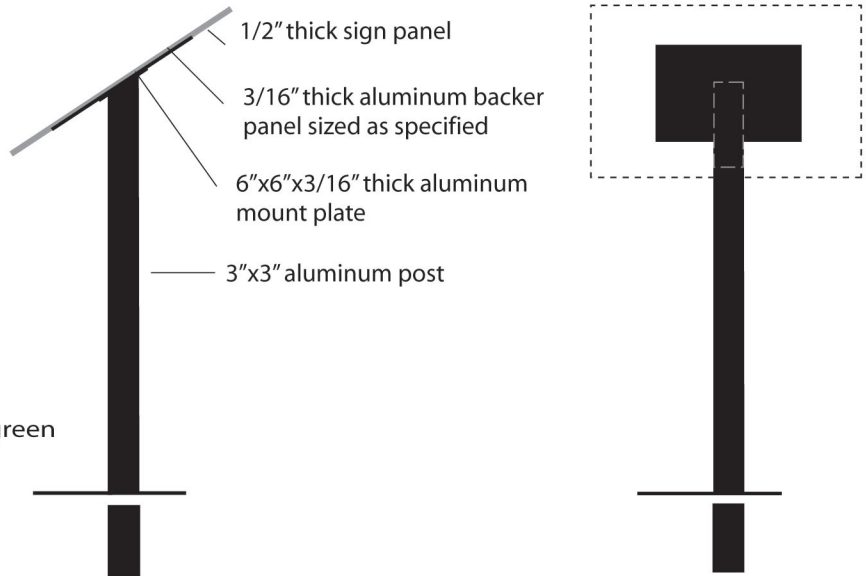
Angled Aluminum Pedestal with Aluminum Post

Single-leg pedestals

Model #	Standard Size
APAP-66	6x6
APAP-1212	12x12
APAP-1620	16x20
APAP-1218	12x18

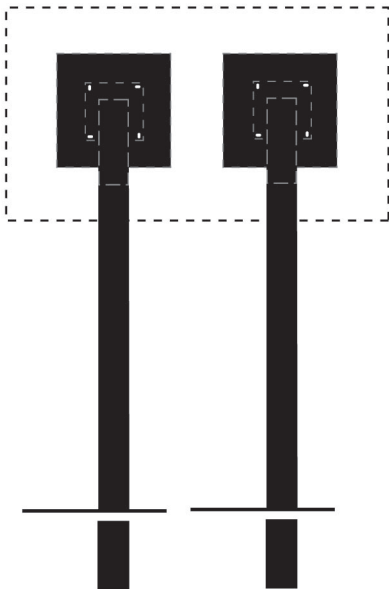
- All models available with these options:
- 30 or 45 degree angle mounts
 - Surface or ground mount

Black texture powder coat is standard finish. NPS brown, NPS dark brown, and Yorktown green available at an additional cost.

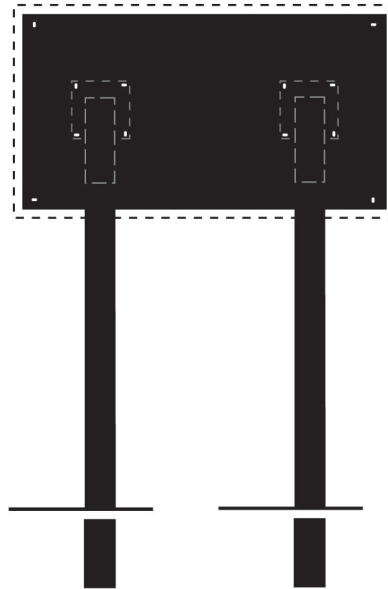


Double-leg pedestals

Double leg bases are achieved with (2) APAP-1-66 post / plate components and 2 standard backer plates, or with a large mount plate.



Double backer plates
Panel is supported by two single (APAP-1-66) post / plate components and 2 standard backer plates. Holes in sign panel align with holes in backer plates.



Single backer plate
Panel is supported by one 3/16" Backer plate (size based on sign panel) that has (4) hole pattern that aligns with the hole pattern on the 6"x6" mount plates. Holes in sign panel align with holes in backer plate.

Pedestal Styles Continued

Aluminum Pedestal with Recycled Plastic Post

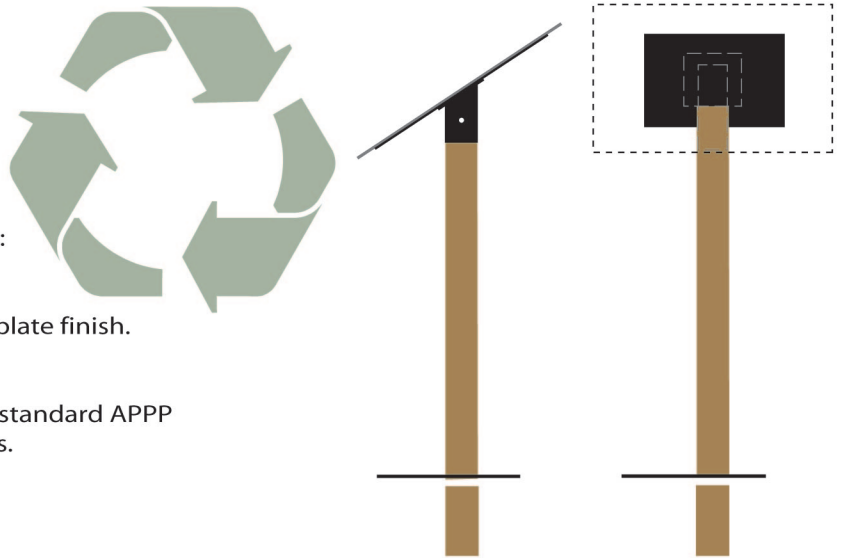
Model #	Standard Size
APPP-66	6x6
APPP-1212	12x12
APPP-1620	16x20
APPP-1218	12x18

All models available with these options:

- 30 or 45 degree angle mounts

Black texture powder coat is standard plate finish.
Cedar is standard post color.

Double leg bases are achieved with (2) standard APPP plate / sleeve components and (2) posts.



Flush Aluminum Pedestal with Aluminum Post

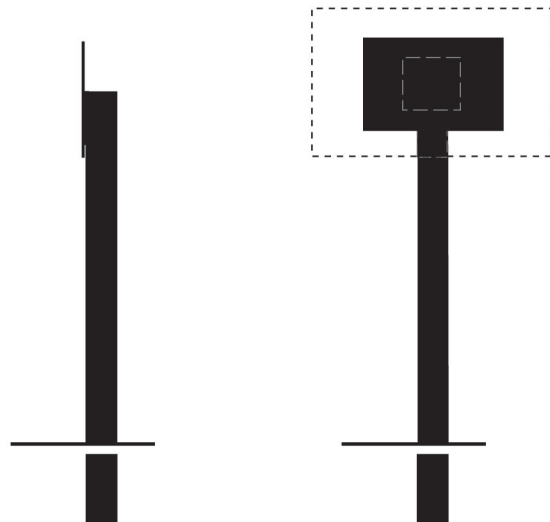
Model #	Standard Size
FPAP-66	6x6
FPAP-1212	12x12
FPAP-1620	16x20
FPAP-1218	12x18

All models available with these options:

- Surface or ground mount

Black texture powder coat is standard finish.
NPS brown, NPS dark brown, and Yorktown green available at an additional cost.

Double leg bases are achieved with (2) FPAP-1-66 post / plate components with a large mount plate.



Flush Aluminum Pedestal with Recycled Plastic Post

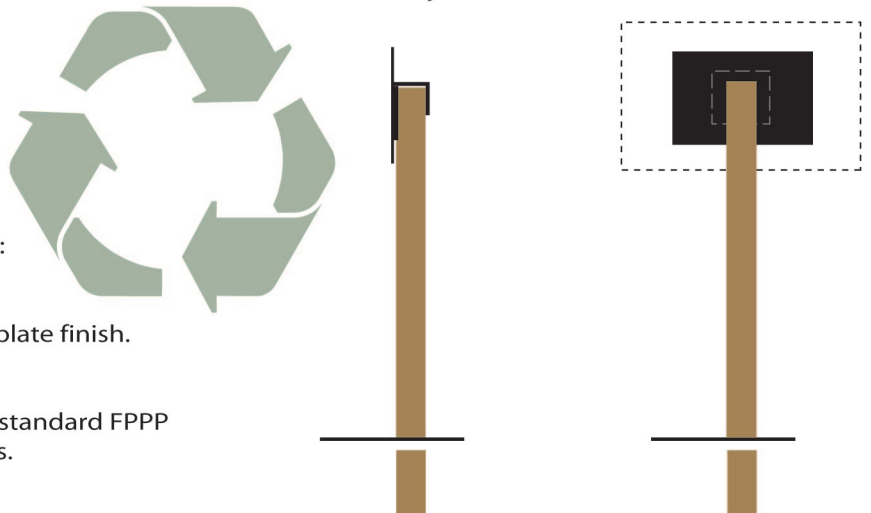
Model #	Standard Size
FPP-66	6x6
FPP-1212	12x12
FPP-1620	16x20
FPP-1218	12x18

All models available with these options:

- 30 or 45 degree angle mounts

Black texture powder coat is standard plate finish.
Cedar is standard post color.

Double leg bases are achieved with (2) standard FPPP plate / sleeve components and (2) posts.



Frameless Pedestal Bases Continued

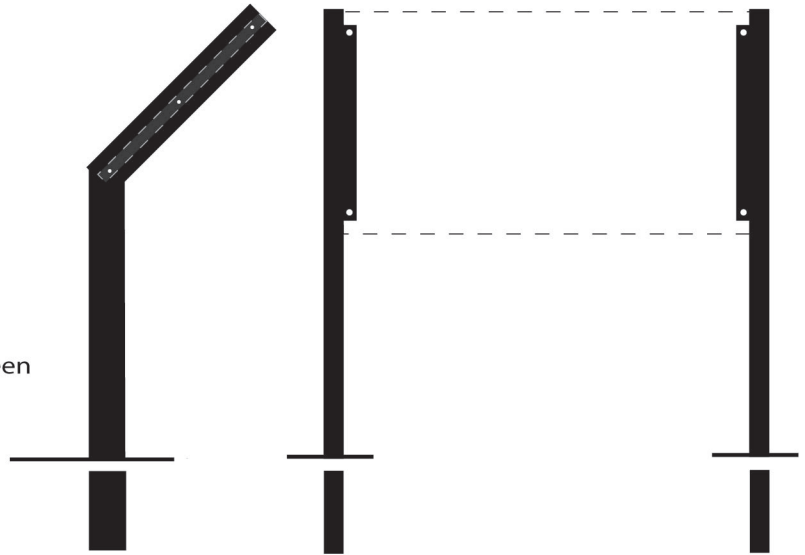
Cantilever Pedestal

Model #	Standard Size
CP	24H

All models available with these options:

- 30 or 45 degree angle mounts

Black texture powder coat is standard finish.
NPS brown, NPS dark brown, and Yorktown green
available at an additional cost.



Upright Pedestal

Model #	Standard Size
UP86	86" post
UP100	100" post

Black texture powder coat is standard finish.
NPS brown, NPS dark brown, and Yorktown green
available at an additional cost.

